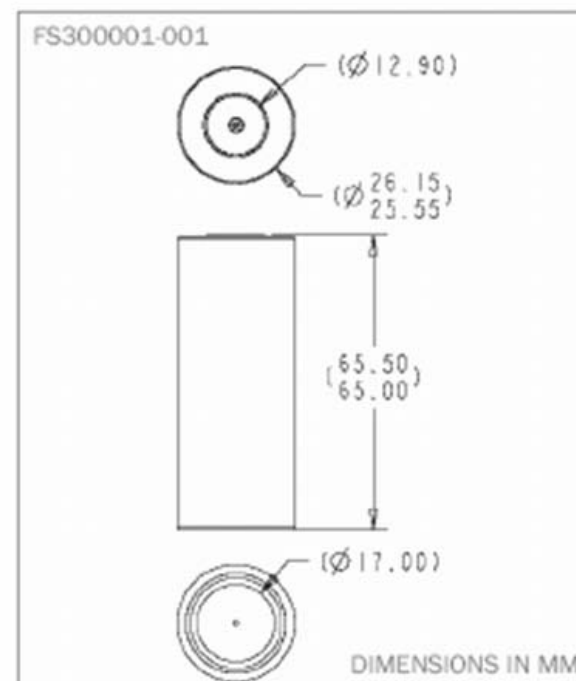




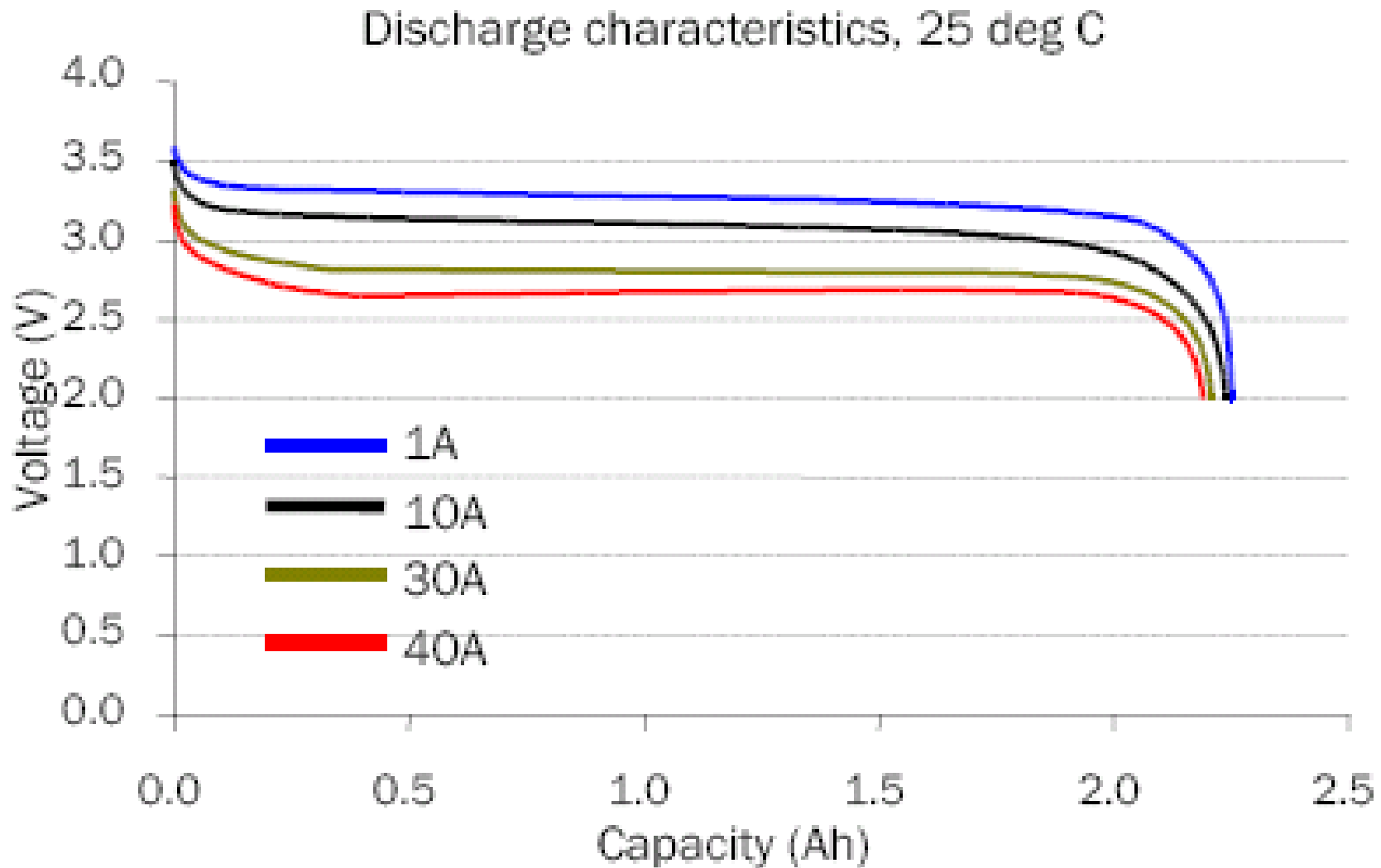
ANR26650M1

A123Systems lithium-ion rechargeable ANR26650M1 cell is capable of very high power, long cycle and storage life, and is inherently safe due to its use of patented nanophosphate technology.

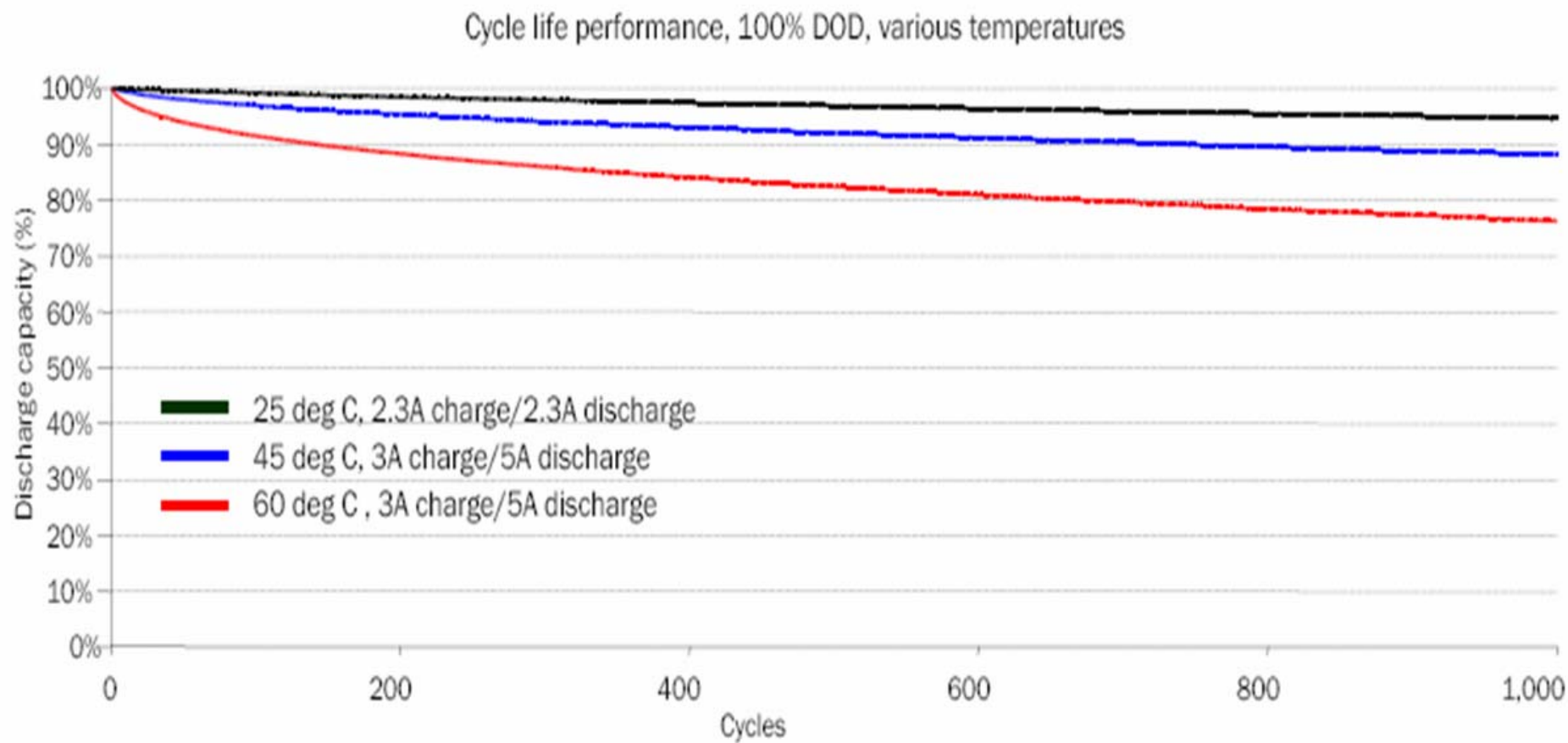
Nominal capacity and voltage	2.3 Ah, 3.3 V
Energy	7.6 Wh
Internal impedance (1kHz AC)	8 mΩ typical
Internal resistance (10A, 1s DC)	10 mΩ typical
Standard charge method	3A to 3.6V CCCV, 45 min
Max charge current	10A to 3.6V CCCV, 15 min
Max continuous discharge	60A
Max pulse discharge (10 sec)	120A
Cycle life at 10C discharge, 100%DOD	Over 1,000 cycles
Operating temperature range	-30°C to +60°C
Storage temperature range	-50°C to +60°C
Core cell weight	70 grams



Discharge characteristics



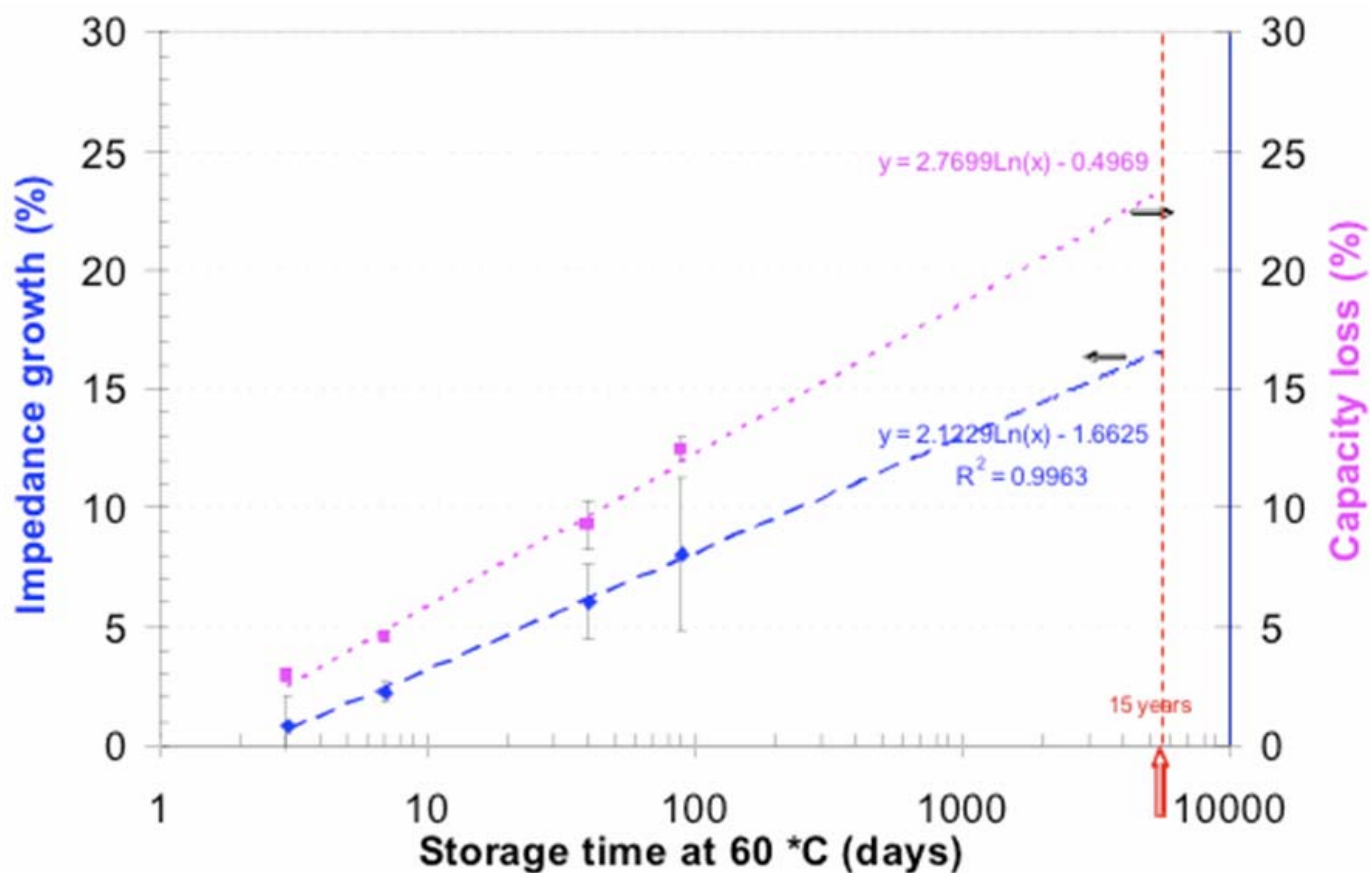
Cycle life



Calendar Life Data

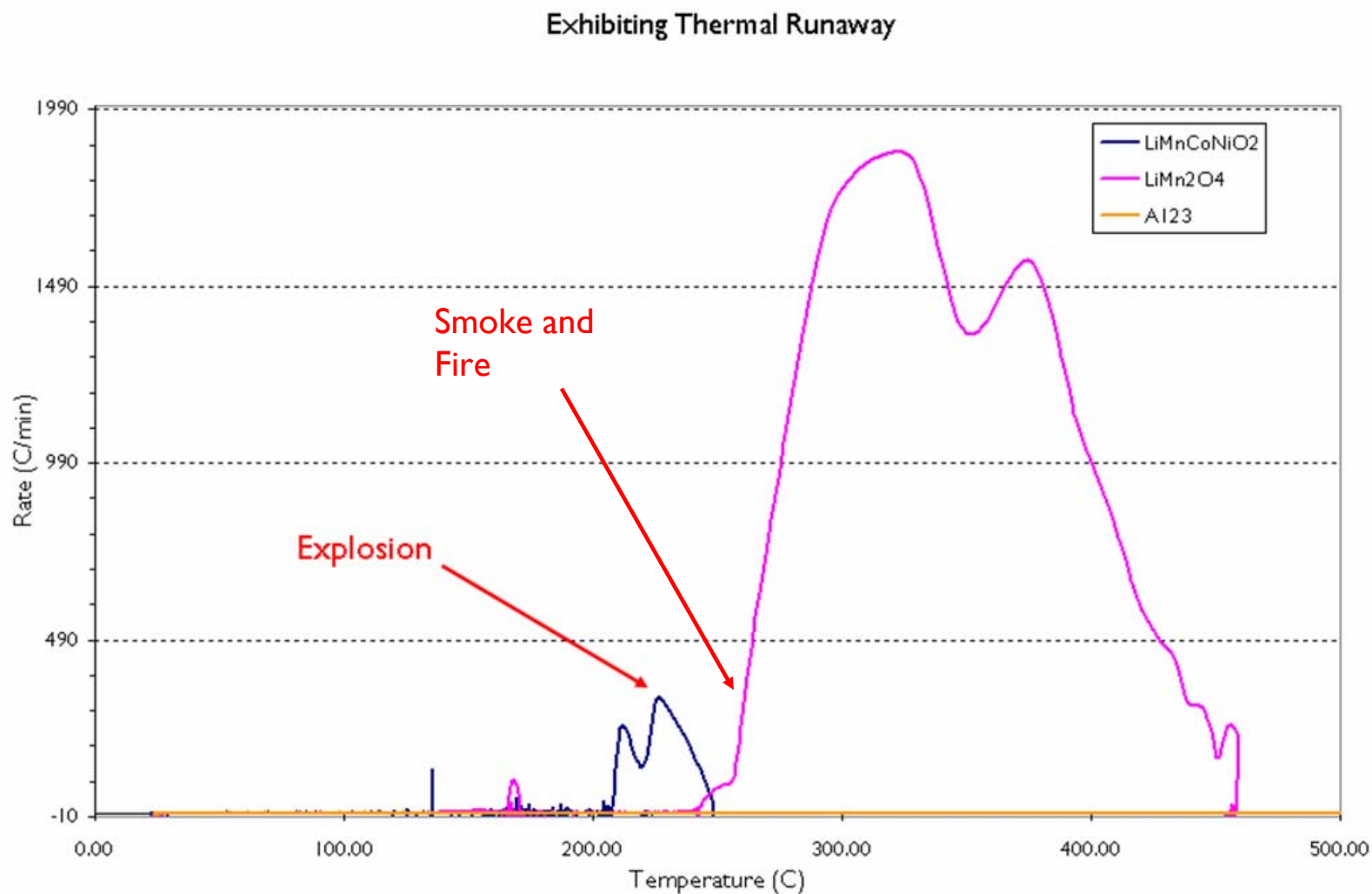
Storage at 100% SOC, 60 °C

- Current test projecting excellent calendar life: 17% impedance growth and 23% capacity loss in 15 years at 100 % SOC, 60 °C
- Each data point is an average of six cells



Thermal runaway comparison

A123 versus mixed oxides and manganese spinel



Thermal runaway comparison

A closer look

